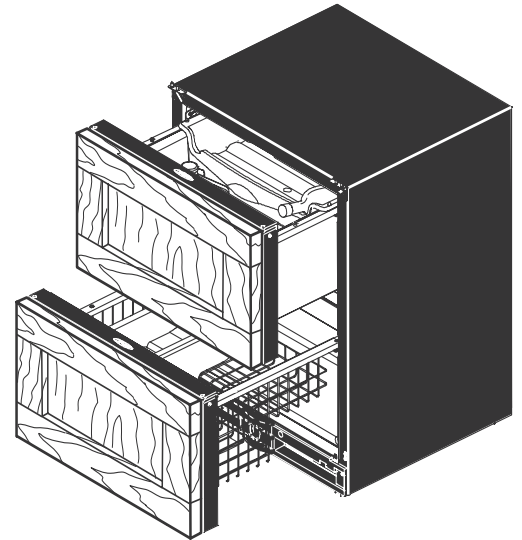
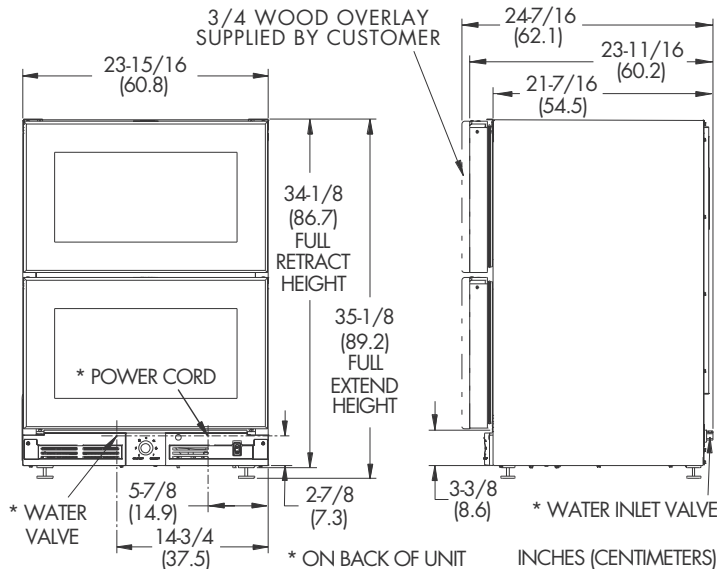




Échelon™

Model CO2075DWR Drawer Combo® Refrigerator, Freezer, Ice Maker

A FROST FREE 5.0 cubic foot built-in under the counter combination refrigerator/freezer/ice maker which produces up to 6 pounds of ice per day and stores 10 pounds.



SUPERIOR FEATURES OF ÉCHELON™

1. Approximately 3.0 cubic feet of refrigeration (top drawer) and 2.0 cubic feet of freezer (bottom drawer)
BENEFIT: Provides refrigeration, freezer and ice maker production capacity.
2. Produces up to 6 pounds of ice per day and stores up to 10 pounds
BENEFIT: Generous supply of ice.
3. Digital LED temperature control
BENEFIT: Permits you to set the temperature in the refrigerator, top drawer, and read the actual temperature in the refrigerator and freezer. The refrigerator's temperature range is from 34 - 45 degrees Fahrenheit.
4. Frost Free refrigerator and freezer drawers
BENEFIT: Easy to maintain. Eliminates the need for manual defrosting.
5. Organizing Features
 - a. Adjustable Slide & Divide organizer for top refrigerator drawer. User can adjust the organizer from front to back, and side to side.
 - b. Clear organizing bin for top drawer can accommodate wine bottles, two-liter bottles, or other items. The bin is designed to slide from the front to rear of the drawer allowing easy access to items in or beneath the bin.
 - c. Ice bucket stores 10 pounds of ice in freezer drawer.
BENEFIT: Use of organizing features allows for greater internal storage capacity plus allows the consumer to customize their refrigeration space.



SUPERIOR FEATURES OF ÉCHELON™

6. **Top refrigerator drawer has stainless steel interior**
BENEFIT: Corrosion resistant, sleek professional appearance.
7. **Heavy duty, full extension drawer slides for both drawers**
BENEFIT: Allows easy accessibility to contents in the back of the drawers.
8. **Cold internal freezer temperatures between -5 and +5 degrees Fahrenheit**
BENEFIT: Items such as ice cream products and Popsicles® can be stored and maintained within the freezer compartment.
9. **Stainless steel units come standard with a seamless full wrap stainless steel drawer front, sculpted stainless steel handles, stainless interior in top drawer, and black vinyl clad cabinet.**
BENEFIT: The seamless full wrap stainless steel drawer fronts with sculpted handles distinguish this unit from heavier, "commercial" looks and reduces assembly time in the field and overall cost.
10. **Black units come with flush mounted black drawer panel and will accept an overlay drawer panel or a 1/4 inch thick panel.**
BENEFIT: Allows customer to achieve a custom, built-in look by matching surrounding cabinetry. Drawers come standard from the factory equipped to be used with full overlay panels. For 1/4 inch custom panel applications, replacement drawer handles are required. Part number 11926-4-BLK.
11. **Consumer friendly, self diagnosing controller**
BENEFIT: In the rare event of a problem, a flashing LED indicator light indicates if there is a need to call for service.
12. **Interior light in each drawer**
BENEFIT: Automatically illuminates when drawers are open.
13. **Sabbath mode**
BENEFIT: Allows consumer to turn off all LED lights for consumer preference.
14. **No drain required for the ice maker**
BENEFIT: Easy and inexpensive to install. Requires only a 1/4 inch outside diameter water line.
15. **Conserves on water**
BENEFIT: Uses only 2-3/4 gallons of water to produce approximately 22 lbs. of ice.
16. **Black vinyl clad steel cabinet on black and stainless steel units**
BENEFIT: Textured, rich look. Resistant to scratching, peeling and flaking.
17. **Adjustable leveling legs**
BENEFIT: More precise under the counter fit, durable and factory installed.
18. **Anchoring device included**
BENEFIT: Unit must be installed under a counter and must be anchored to prevent tipping. **Do not obstruct front grille.**