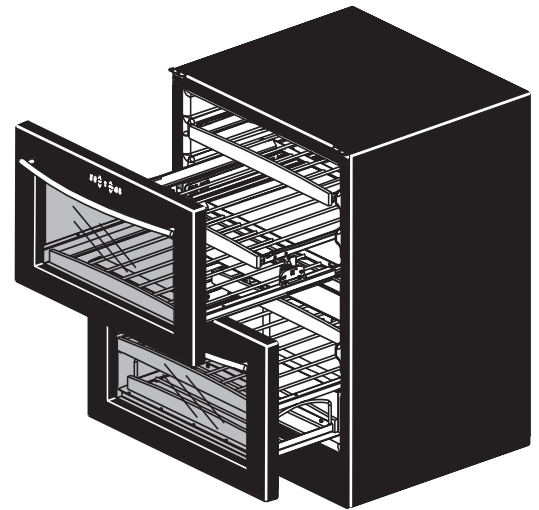
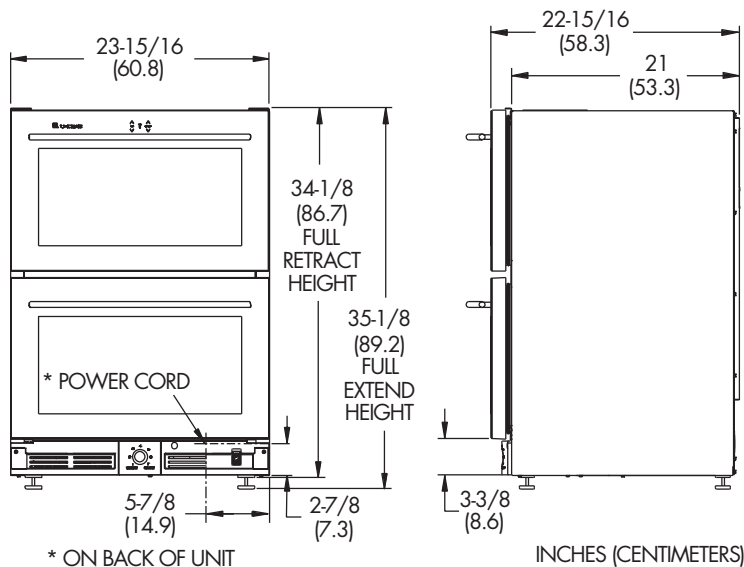




Échelon™

Model 2075DWRWC Drawer Wine Captain®

The industry's only built-in under the counter two drawer Wine Captain® wine storage unit with dual temperature control and 43 bottle capacity.



SUPERIOR FEATURES OF ÉCHELON™

- Two drawers, each with their own TouchSensor™ digital display and temperature control that is integrated into the thermopane glass door**

BENEFIT: Each drawer has its own TouchSensor™ control that allows the consumer to "Set" the temperature and "Display" the actual temperature in the drawer. Temperature range is 40-60 degrees Fahrenheit. Integration of the TouchSensor™ digital display door provides an upscale appearance and allows for storage of one or multiple types of wine.
- 43 bottle capacity**

BENEFIT: Generous wine storage capacity.
- Cascading wine racks - 3 in top drawer and 2 in bottom drawer**

BENEFIT: Presents the wine bottles to the consumer and provides an unobstructed view of the labels.
- Wine caddy located in the bottom drawer holds three bottles of wine**

BENEFIT: Access from either side of the drawer and allows for convenient transportation of wine.
- Interior lights have 4 consumer modes of operation.**

BENEFIT: The interior light will automatically be illuminated when either drawer is opened providing easy visual identification of the wine. The four consumer controlled modes of operation are:

 - Lights on in both drawers while the drawers are closed. Provides for an attractive "display" of your wine collection.
 - Light is on only in the top drawer while closed.
 - Light is on only in the bottom drawer while closed.
 - Light is off in both drawers and only illuminated when either drawer is opened.



SUPERIOR FEATURES OF ÉCHELON™

6. Sabbath Mode

BENEFIT: Allows consumer to turn off all LED lights for personal preference.

7. Sturdy, slide out, fully extendable wine racks

BENEFIT: Easy access to all wine bottles especially those located on the rear portion of the rack. Bottles are stored in a horizontal position keeping the cork moist to prevent air from entering the bottle.

8. The wine racks have a contoured, wooden front trim.

BENEFIT: The contoured wood front facing adds an upscale appearance to the 2075DWRWC. The wood is maple and is treated for durability and for use in a temperature controlled environment. The wood facing may be stained or replaced in its entirety by the end user with other wood products or such products as Corian®, Sandstone or other like products.

9. Black vinyl wine racks

BENEFIT: The black vinyl blends well with the wine bottles therefore placing greater emphasis on the wine itself. The vinyl "grips" the wine bottles more securely.

10. Tinted thermopane glass drawers that have either a stainless steel wrap or black glass border surrounding the thermopane

BENEFIT: Protects your wines from potentially harmful light rays while providing a very upscale appearance.

11. Stainless steel units come standard with a seamless stainless steel wrap on each drawer and sculpted stainless handles. The cabinet is black vinyl clad.

BENEFIT: The seamless full wrap stainless steel door trim and the sculpted stainless handles distinguishes this unit from the heavy "commercial" appearance.

12. Black units come with a black glass 2 1/2 inch wide border on each door and a black vinyl clad cabinet.

BENEFIT: Upscale look and easy to clean.

13. Vinyl clad steel cabinet (black)

BENEFIT: Textured, rich look. Resistant to scratching, peeling and flaking. Used on both the black and stainless steel unit.

14. Adjustable leveling legs

BENEFIT: More precise under the counter fit, durable and factory installed.

15. Anchoring device included

BENEFIT: Unit must be installed under a counter and must be anchored to prevent tipping. **Do not obstruct front grille.**